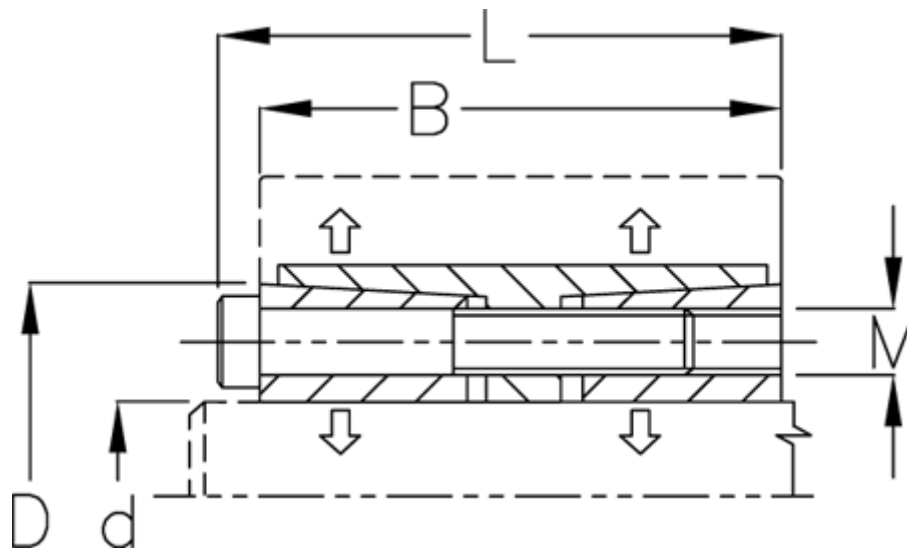


Article number: 439600320

Description: Rota-fix shaft-hub connection FS320x405

Note: Self centering - very high torque.

Measures



B mm	= 136
d H8 mm	= 320
D mm	= 405
Fit tolerance	= Aksel h8, Nav H8
F kN torque	= 2250.0
L mm	= 156
M mm	= M20
P N/mm ² surface pressure on shaft/hub	= 154

Surface roughness	= R? ? 3.2 μ m
T N m torque	= 360000
Ts N m bolt tightening torque	= 690.0